

SPECIFICATION

Model: OB-00RXD3-10

Description: OB-00RXD3-10 / 5000*15mm, 600 pcs 5730 SMD, 24V DC
Constant voltage



Prepared By: _____

Checked By: _____

Standard Dept: _____

Approved By: _____

OBOER CO., LIMITED

深圳市欧伯尔光电科技有限公司

Address: Jiang Hai Industrial Zone, Yonghe Road, Shiyan Town, Shenzhen, China

5730 LED STRIPS Model: OB-00RXD3-10

Features:

1. SMD5730, high lumen LED, 60-65 LM/led
2. Flexible PCB, good heat radiation, 6 LEDs cuttable
3. DC24V Low Voltage, stable and safe
4. 3M adhesive tape on the back of PCB, easy installation.
5. Nonwaterproof

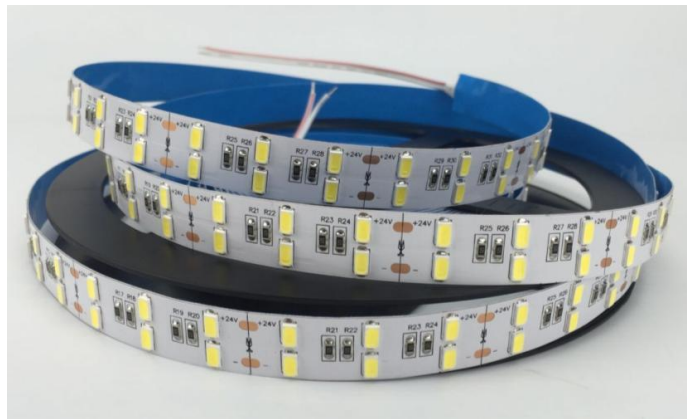
Applications:

For channel letter and decorate lighting etc.

Warranty:

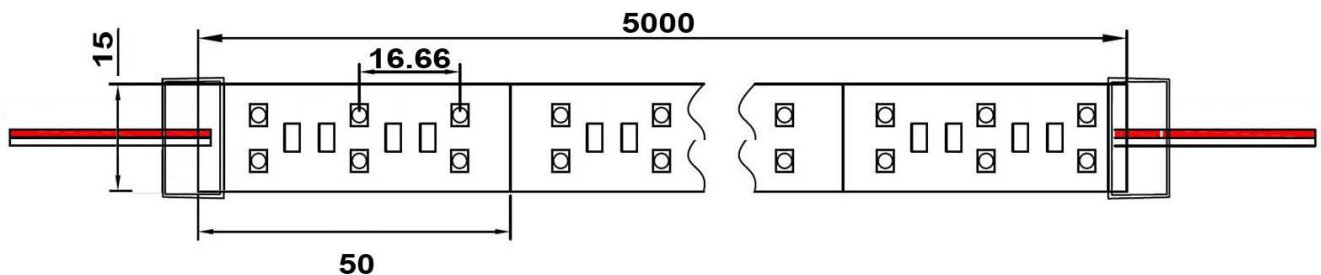
2 years or 8000 hours whichever comes first.

Picture:



Dimension:

Unit: mm



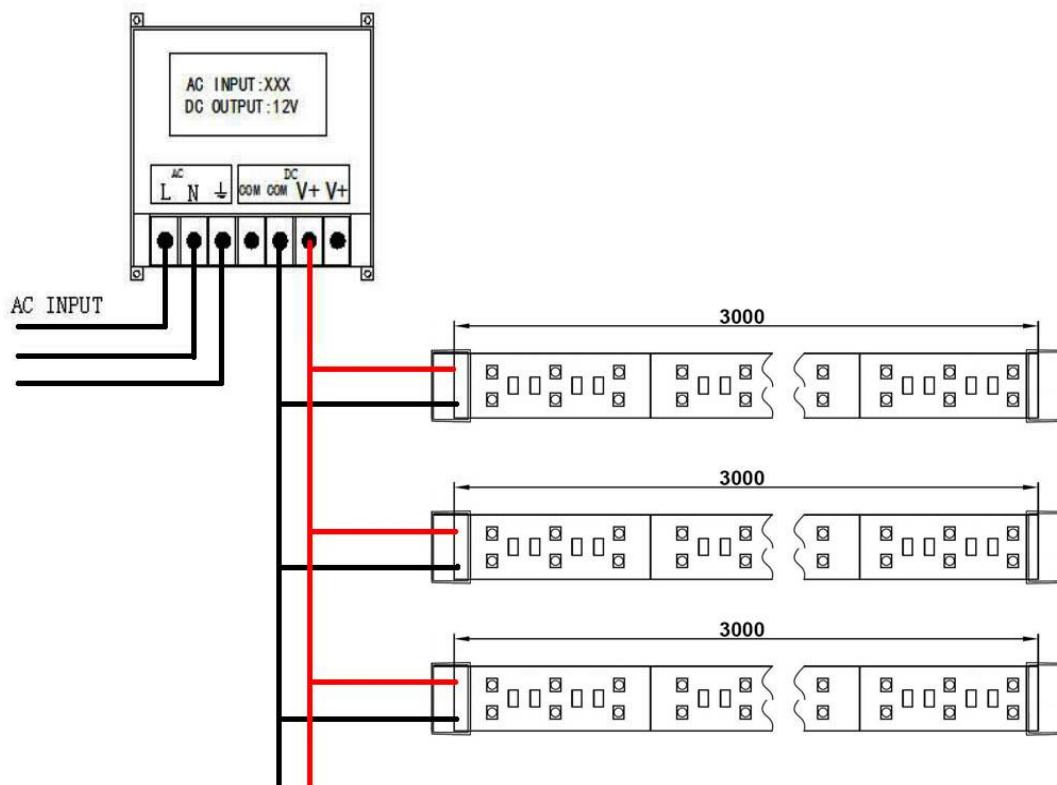
Specification:

Model	OB-00RXD3-10				
LED	5730 SMD LED				
LED Quantity	120 pcs each meter				
Lumen (LM/M)	3000-3400				
Voltage	24V DC				
Power Consumption	30 W/m				
PCB Width	15 mm				
RA	80 / 90			/	
Color	10000K	6000K	4000K	3000K	Red/Green/Blue/Yellow
Beam Angle	120°				
Driver Model	Constant Voltage				
Length	5 M/reel				
IP Rate	IP20				
Working Temperature	-25°C ~ +60°C				
Store Temperature	-25°C ~ +70°C				

Note:

1. Testing environment temperature: 25±3°C.
2. The above data are typical values, the actual data of each single product could differ from the typical values. The data subject to change without prior notice.

Installation:

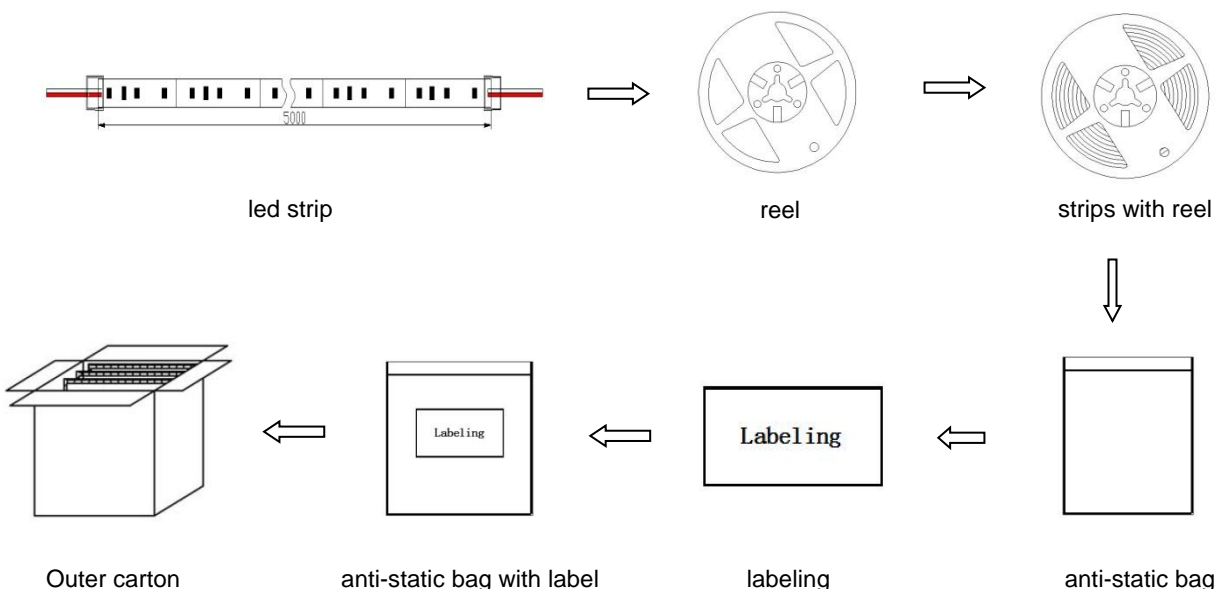


Note:

1. Make sure that the mounting surface is clean before installing strips.
2. Connect wires to the power supply firmly. It will be fine if the wires can not be pulled out by hand.
3. Forbid using any acide and alkali adhesive to fix the strips.
4. During installing the strips, forbid sticking adhesive on led surfaces to avoid damaging the LEDs or the coating.
5. Standard operable length is 3m. It is recommended to choose safety-certified power supply with DC12V output voltage (with short-circuit, overvoltage and overcurrent protections). The tolerance range for the output voltage of power supply is $\pm 5\%$. If more products needed, the power supply should have more than 20% load allowance.

Warning:

1. Do not light the strips before releasing them from the reel.
2. Forbid disassembling or modifying the strips or touching LED surface with sharp stuff.
3. Do not install the products with power on.
4. The products should be installed or maintained ONLY by the professional persons.
5. Please check the supply voltage and wire connections before energizing the fixture.
6. Standard operable length is 5m. Forbid exceeding!
7. If the extension of the wires between strips and power supply is needed. It is recommended to choose 18AWG or much thicker wire to avoid the hazard caused by over current or overheat.
8. When the standard operable length is 5m, the wires between the strips and power supply should be no longer than 2m, or the wire loss will increase, which will lead to higher total power.

Package:



Packaging Information:

1. 5m per reel, 50 reels per outer carton
2. Outer Carton: 45*34*27 cm = 0.0413 CBM
3. Gross Weight (G.W.): 10kgs
4. The actual packed quantity and weight subject to change without prior notice.